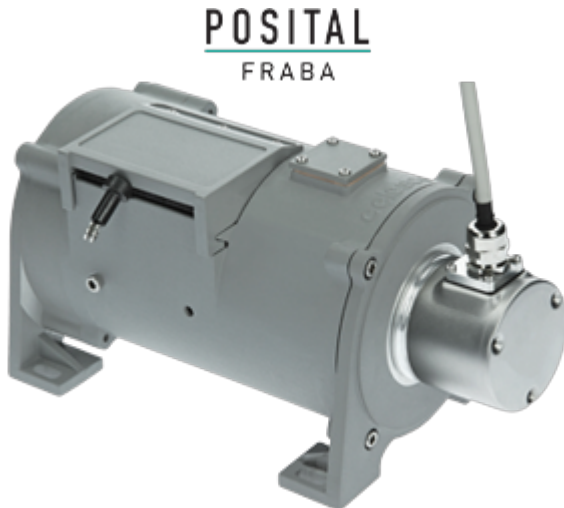


LINARIX Linear Sensor



General Data

Supply Voltage	10 - 30 VDC (On power supplies comply with EN 50178)
Power Consumption	≤ 2.5 W
Turn On Time	< 250 ms
Operating Temperature	-30 °C fixed (-22 °F), -5 °C flexible (+23 °F) - +70 °C (+158 °F)
Weight	3285 g (7.24 lb)
Protection Class (Encoder)	≥ IP64 / IP65
EMC: Emitted Interference	DIN EN 61000-6-4
EMC: Noise Immunity	DIN EN 61000-6-2

Mechanical Data

Max. Measurement Length	10.16 m
Wire Drum Circumference	320 mm
Wire Material	Nylon Coated Stainless Steel
Wire Diameter	0.86 mm
Encoder Housing Material	Steel
Draw Wire Housing Material	Powder painted Aluminum
Max. Speed of Wire Displacement	1.52 m / s
Max. Wire Acceleration	1.0 g
Max. Extension Force	6.5 N
Min. Retraction Force	3.5 N
Actuation Lifetime	Not Available
Wire Mounting	Eyelet

Sensor Data

Technology	Optical ($\leq 0.02^\circ$)
Accuracy	± 0.02 % FSO
Repeatability	± 0.02 % FSO
Resolution [Encoder - Singleturn]	16 bit
Resolution [Encoder - Multiturn]	12 bit
Approx. Linear Resolution	4.9 μm (theoretical), limited by mechanics
Output Code	Binary

Interface Data

Communication Interface	CANopen
Profile	DS-406
Programming Functions	Resolution, preset, 2 limit switches, 8 CAMS, baud rate, CAN-Identifier, bootloader, transmission modes: polled, cyclic, sync
Manual Functions	Address selector switch 0-99 and terminal resistor (with connection cap)
Transmission Rate	min. 20 kBaud, max. 1 MBaud
Cycle Time Interface	> 1 ms

Electrical Data

Current Consumption	≤ 230 mA @ 10 V DC, ≤ 100 mA @ 24 V DC
Reverse Polarity Protection	Yes
Short Circuit Protection	Yes
MTTF	13.5 years @ 40 °C
Electrical Lifetime	>10 ⁵ h

Electrical Connection

Connection Orientation	Radial
Connection Orientation (w.r.t Draw Wire)	Radial 8
Connection Type	Cable / Connector
Cable Length	5 m [197"]
Wire Cross Section	0.14 mm ² / AWG 26
Material / Type	PVC
Cable Diameter	6 mm (0.24 in)
Minimum Bend Radius	30 mm (1.18 in) fixed, 60 mm (2.36 in) flexing

Connection Plan

SIGNAL	CABLE COLOR
Power Supply	White
GND	Brown
CAN High	Yellow

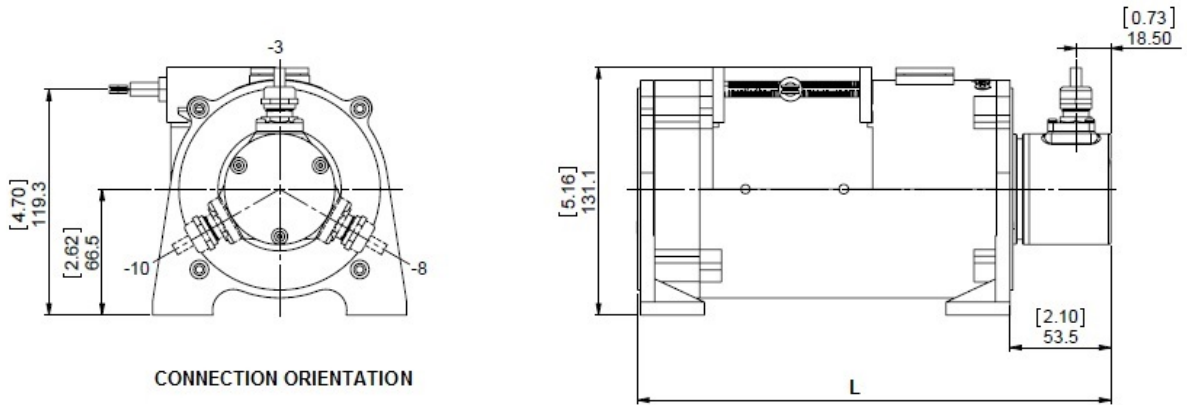
CAN Low

Pink

CAN GND

Green

Connector-View on Encoder
Dimensional Drawing



	L
CANopen	250.6 [9.87]
DeviceNET	260.4[10.25]